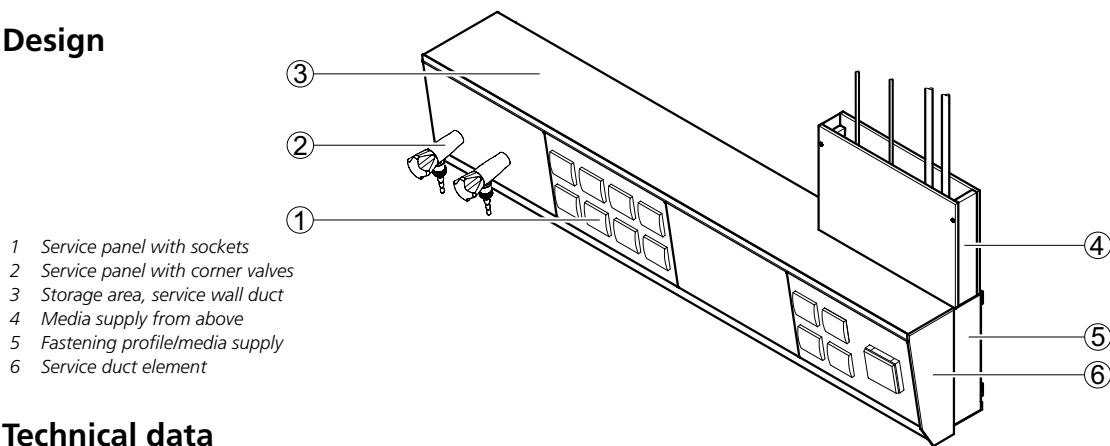


## Intended use

- Wall-mounted services supply for:
  - ▶ Laboratory benches under or in front of the service wall duct
  - ▶ Laboratory equipment on mobile tables or underbench constructions
  - ▶ Floor-mounted laboratory equipment
- Design versions for genetical engineering areas
- Tool-free installation of supplementary service duct add-on parts such as monitor arm, pipette holder, paper towel dispenser, universal storage area, etc.

## Design



- 1 Service panel with sockets
- 2 Service panel with corner valves
- 3 Storage area, service wall duct
- 4 Media supply from above
- 5 Fastening profile/media supply
- 6 Service duct element

## Technical data

| Dimensions                         |           |     |      |      |                    |
|------------------------------------|-----------|-----|------|------|--------------------|
| Width [mm]                         | 600       | 900 | 1200 | 1500 | 1800 <sup>1)</sup> |
| Depth [mm]                         | 184       |     |      |      |                    |
| Height [mm]                        | 252       |     |      |      |                    |
| Service panel, width x height [mm] | 300 x 200 |     |      |      |                    |

<sup>1)</sup> The service wall duct can be extended as desired in grid lengths of 300 mm.

| Load bearing capacity |                       |
|-----------------------|-----------------------|
| Storage area [kg]     | 20 per installed grid |

| Design characteristics   |   |
|--------------------------|---|
| Construction             | Service duct for wall mounting incl. solution for inside corner |
| Number of service panels | Depending on the width of the service duct                      |

| Material     |                                 |
|--------------|---------------------------------|
| Storage area | Solid grade laminate shelf 5 mm |

| Electrics         |                            |
|-------------------|----------------------------|
| Electrical supply | Service panel with sockets |
| Fuse box          | Optional                   |

| Sanitary technology |   |
|---------------------|---|
| Sanitary supply     | Service panel with take-off valves for vacuum, gases and/or waters<br>Supply pipes in the fastening profile |