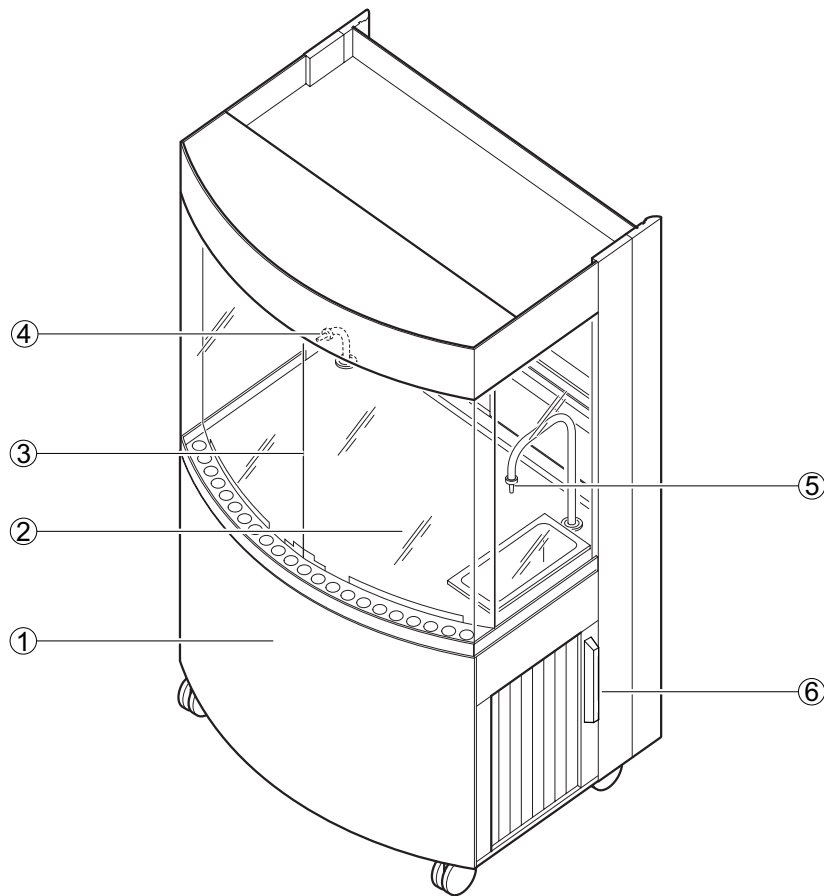


Intended use

- Can be used where required, with connections for the services supply, e. g. service wings
- Unrestricted view into the cupboard from all sides
- Service outlets in the internal workspace
- Control units located horizontally on the service rail of the support unit

Design

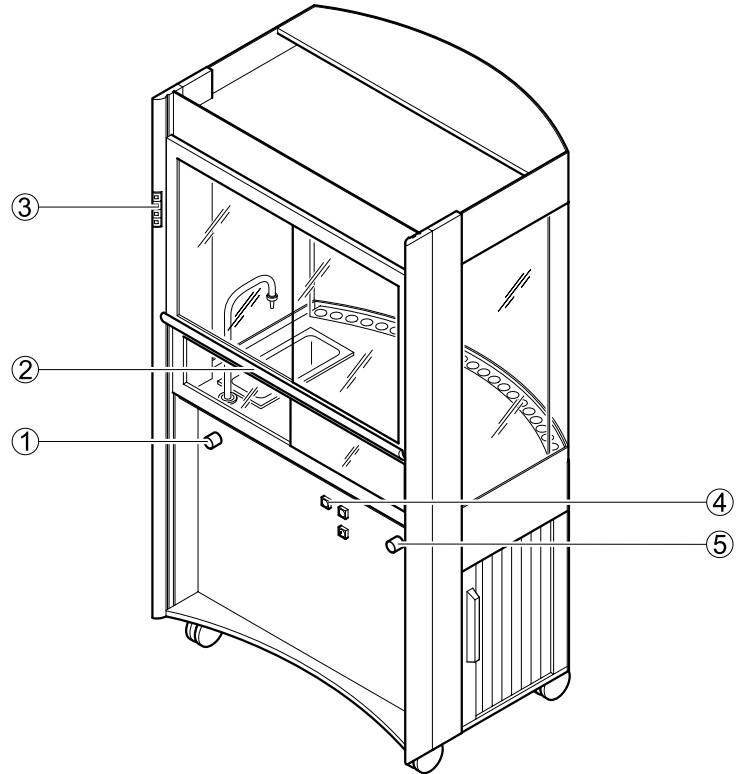
Front view



- 1 Trolley
- 2 Worktop with surrounding increased edge
- 3 Viewing window and baffle (safety glass)
- 4 Gas outlet
- 5 Water outlet with sink and waste water lifting unit
- 6 Openings for pipes and cables

Mobile fume cupboards AeroEm

Rear view



- 1 Valve for water outlet
- 2 Handle with sash and horizontal sash
- 3 FAZ control panel
- 4 Switch for internal sockets
- 5 Valve for gas outlet

Technical data

Dimensions	
Width [mm]	1050
Depth [mm]	815
Height [mm]	1975
Working height [mm]	900
Height, castors [mm]	120

Weight	
Weight [kg]	180

Design characteristics	
Sash	Two-piece, moves up and down with 2 horizontal sashes each
Glass pane in the side wall	All 4 sides of the fume cupboard
Lighting	Dazzle-free, can be switched from the outside
Roller shutter guiding	For pipes and cables on the left and right side of the fume cupboard

Mobile fume cupboards AeroEm

Electrics	
Electrical supply	2 sockets in the internal workspace, can be switched individually from the outside
Total power of sockets [W]	1000
Connection voltage [V AC]	230
Voltage of waste water lifting unit [V]	230
Power of lighting [W]	55
Length, electrical connection cable [mm]	2500

Sanitary technology	
Water connection	Optional
Waste water connection	Waste water quick release outlet as an option
Gas connection	Optional
Water fitting (tap)	Cold water WPC or WNC (EN) as an option, with drip cup, can be operated from the outside
Gas outlet	Optional

Ventilation technology	
Minimum air exchange rate [m³/h] ¹⁾	300
Air-supply assistance fan	Can be switched on the FAZ
Function display	FAZ
2 extract air spigots Ø [mm]	90
Length of extract air duct [mm]	2500

¹⁾ All air volume specifications refer to an opening height of the sash window of 500 mm (test opening in acc. with EN 14175) and the maximum tracer gas values recommended by German Standard (BG Chemie).

The indicated minimum air exchange rates were determined under specified test conditions in acc. with EN 14175-3. These minimum air exchange rates must be adapted when dimensioning the ventilation system.

If on-site extract air monitoring systems or airflow dampers are used, the required air volumes may be different. The operating limitations must be agreed upon with Waldner.

Material/surface	
Worktop	Stoneware-composite worktop with raised Polypropylene edge

Mobile fume cupboards

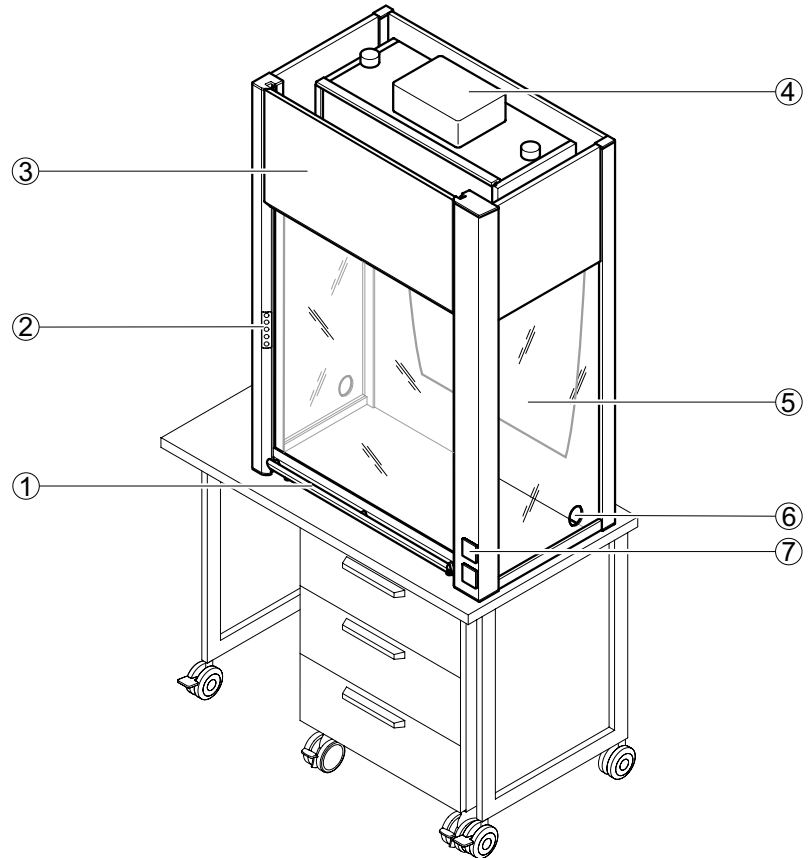
MobilAir

Intended use

- Can be used where required (only in air-circulating mode)
- Control units located externally

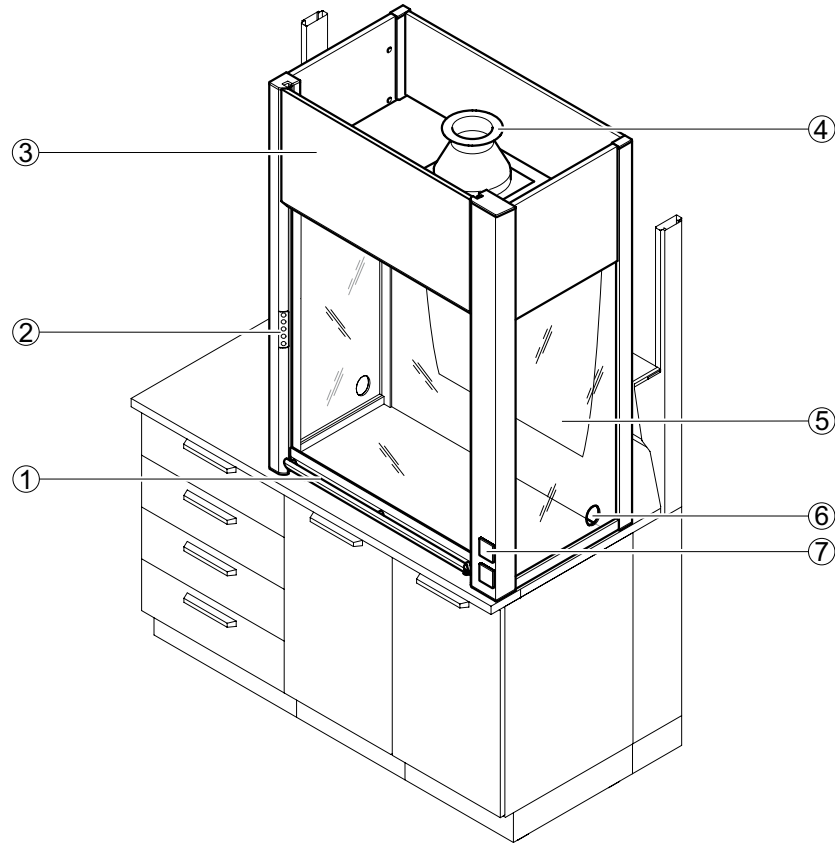
Design

Air-circulating mode



- 1 Sash with handle
- 2 FAZ control panel
- 3 Removable fascia panel
- 4 Filter housing with ventilator in air-circulating mode
- 5 Rear panel with air guiding profile
- 6 Material lock
- 7 Sockets

Extract air operation



- 1 Sash with handle
- 2 FAZ control panel
- 3 Removable fascia panel
- 4 Extract air spigot
- 5 Rear panel with air guiding profile
- 6 Material lock
- 7 Sockets

Technical data

Dimensions	
Width [mm]	900
Depth [mm]	600
Height with sash closed/open [mm]	1215/1620
Access width [mm]	730
Clear width, internal workspace [mm]	850
Effective depth [mm]	503
Clear internal height up to lamp [mm]	846
Clear internal height up to ceiling [mm]	935

Weight	
MobilAir for extract air operation [kg]	Approx. 70
MobilAir for air-circulating mode incl. filter [kg]	Approx. 82

Mobile fume cupboards

MobilAir

Design characteristics	
Air-circulating mode	With ventilator and filter
Extract air operation	Extract air spigot connected to on-site extract air system
Lighting	Dazzle-free, can be switched from the outside
Sash	Moves vertically
Material lock	Possible on the left and/or right side of the fume cupboard

Electrics	
Electrical supply	2 external sockets
Total power of sockets [W]	1000
Connection voltage [V AC]	230
Lighting [W]	13
Ventilator power [W]	115

Ventilation technology	
Minimum air exchange rate [m ³ /h]	300
Function display	FAZ as an option
Connection height [mm] Extract air spigot Ø 125 mm	1137

Material	
Side panel design, sash	Plexiglas

Filter type „A“ no.5, gas filter	
Dimensions [mm]	610 x 305 x 150 (+ 8 mm seal)
Pressure loss [Pa] at 300 m ³ /h	130
Design characteristics	Gas filter cell with 5 layers of activated carbon mat, type „A“; MDF frame; with white-painted grid on both sides, with grip and type label on the 610-mm-side, PU seal on the dust-laden air side
Use	Separable substances: organic gases and vapours (e.g. solvents, petrol fumes, toluol, benzol, kerosine, odours, hydrocarbons with mass weights 30 and higher), cold, non-boiling (VOC, high-boiling substances)

Filter type „BEP“, gas and particle filter	
Dimensions [mm]	610 x 305 x 150 (+ 8 mm seal)
Pressure loss [Pa] at 300 m ³ /h	240
Design characteristics	Combination filter Hepa H13 with activated carbon mat and particle filter, type „BEP“; MDF frame, with white-painted grid on both sides, with grip and type label on the 610-mm-side, PU seal on the dust-laden air side
Use	Separable substances: inorganic gases and vapours (e.g. chlorine, hydrosulphides, sulphur dioxide, hydrogen chlorides, cold and heated). Molecules and particle separation 99.95 % MPPS

Filter type „P“, particle filter cell	
Dimensions [mm]	610 x 305 x 150 (+ 8 mm seal)
Pressure loss [Pa] at 300 m ³ /h	150
Design characteristics	Particle filter, type „P“, Hepa H13, Midilar MDSA; MDF frame, with white-painted grid on both sides, with grip and type label on the 610-mm-side, fold height 45 mm, PU seal on the dust-laden air side, filter medium flush on the dust-laden air side
Use	Separable substances: Particle separation 99.95 % MPPS, Hepa H13